

**bayonet**®

# Airco Fastening Solutions



18VDC-18VLI  
Battery G-Ringer CE RoHS

LI-ION  
18V

# Bayonet Airco Mod.81 Pneumatic Air Ringer

Do you have hundreds of metres of Hex Netting fence to build? Bayonet has the solution for you.

Our Pneumatic Air Ringer is light, well balanced in the hand, and fast, reducing manual effort and increasing productivity.

We have searched the globe for a high quality, high speed, C Ring fastening solution to assist our customers with the installation of Hex Netting fences - securing netting to line wires. Airco deliver the very best in high quality pneumatic and battery powered fencing tool solutions.

## Applications

- ✓ Rural Fencing
- ✓ Chainlink, Security Fencing and more
- ✓ Wire Cages
- ✓ Building Construction
- ✓ Car Seats
- ✓ Mattresses
- ✓ Traps
- ✓ Cables
- ✓ Aquaculture

## Product Specifications

Stock Code	Weight (KG)	Height (MM)	Length (MM)	Width (MM)
TGR8100	1.5	110	390	330

Fastener Series	Airco 15100P Series
Fastener Load	100 Rings
Fastener Suited	RC00232
Regulated Operating Pressure	80-100psi



## Features

- ✓ Compact body with efficient magazine loading.
- ✓ Clinches C Rings down from 24mm to approximately 4.7mm
- ✓ Lightweight yet robust.
- ✓ 1 year warranty
- ✓ Comes in plastic carry case.
- ✓ Comfortable handle with soft grip.
- Comes fitted with Air Hose Coupling:
  - Nitto style
  - Thread = 3/8" BSP
  - Air aperture = 7mm

# Bayonet Airco Mod.81 Li-Ion Battery Ringer

If you can't get a compressor to your location or want the ultimate in C Ring application versatility, Bayonet has the solution for you.

With an ability to clinch approximately 1,600 – 1,800 C Rings per battery charge, a one hour battery charge time and two batteries included, you will find this to be a highly versatile tool. 18V lithium ion power, light and fast, with no compressor or air hose required, reduce manual effort and increase productivity in rural fencing, security fencing and construction projects.

## Applications

- ✓ Rural Wire Fencing
- ✓ Wire Cages
- ✓ Building Construction
- ✓ Aquaculture
- ✓ Car Seats
- ✓ Mattresses
- ✓ Traps
- ✓ Cables

## Product Specifications

Stock Code	Weight with Battery (KG)	Height (MM)	Length (MM)	Width (MM)
TTR8100-18VLI	2.6	360	280	270

Fastener Series	Airco 15100P Series	Charger Output	DC 10.8-14.4V
Fastener Load	120 Rings	Charge Time	1 Hour
Fastener Suited	RC00232	Battery Pack	18V / 2 AH Li-Ion Battery
Charger Input	AC 100-240V/50-60Hz	Battery Clinches p/Charge	1,600 - 1,800 approx.



## Features

1.17 seconds per clinch.

Digital control power saving mode.

Power indication and belt hook for convenience.

- ✓ Portable - no compressor needed.
- ✓ 1 year warranty
- ✓ Comes in carry case which includes:
  - Bayonet Airco Mod.81 Li-Ion Battery Ringer
  - Charger
  - 2 x 18V Batteries

# Ring Fasteners

For Bayonet Airco Mod.81 Pneumatic Air Ringer & Bayonet Airco Mod.81 Li-Ion Battery Ringer

**bayoZAL®**

C Ring Fasteners for both Airco Mod.81 Pneumatic Air Ringer & Mod.81 Li-Ion Battery Ringer can be used for a multitude of applications. From securing cables to installing rural fencing, these rings have great versatility and come in a box of 10,000.

## Features

- ✓ **Efficient**
  - C Ring clinches down from a diameter of 24mm to approximately 4.7mm
- ✓ **Convenient**
  - 10,000 rings per box.
- ✓ **Corrosion Protection**
  - BayoZal 95% zinc / 5% aluminium wire coating for long life.



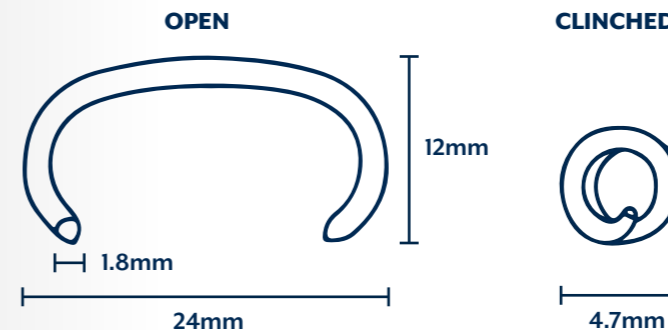
## Applications

- ✓ Rural Fencing
- ✓ Chainlink, Security Fencing and more
- ✓ Wire Cages
- ✓ Building Construction
- ✓ Car Seats
- ✓ Mattresses
- ✓ Traps
- ✓ Cables
- ✓ Aquaculture

## Product Size

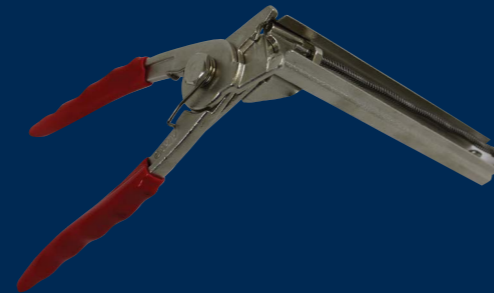
Product	Product Description	Stock Code	Point	Quantity	Weight (KG)
	Bayonet Airco 15100P BZ* C Rings x 10000	RC00232	Sharp	10,000	9.0

BZ\* BayoZal. Manufactred using a medium coatweight of Zinc-Aluminium wire.



# Bayonet Airco 19mm High Tensile Ring Plier

Airco High Tensile Ring Pliers are used in a range of applications to secure and attach using a 19mm high tensile ring fastener. Easily and quickly secure Prefabricated netting, Chainlink netting or Hex netting to line wires to complete your fence.



# Ring Fasteners

## For Bayonet Airco 19mm High Tensile Ring Plier

**bayoZAL®**

Often the weakest link in a fence due to fasteners being electroplated and rapidly corroding. Our 19mm x 2.1mm High Tensile Rings have BayoZal's 95% zinc / 5% aluminium coating, which gives a long lasting protection from corrosion compared to zinc only or electroplated versions.

### Features

- ✓ **Robust**
  - Hard casting.
  - Lightweight, yet heavy duty fastener.
- ✓ **Comfortable & Convenient**
  - Easy load magazine.
  - Soft comfort grip handles.

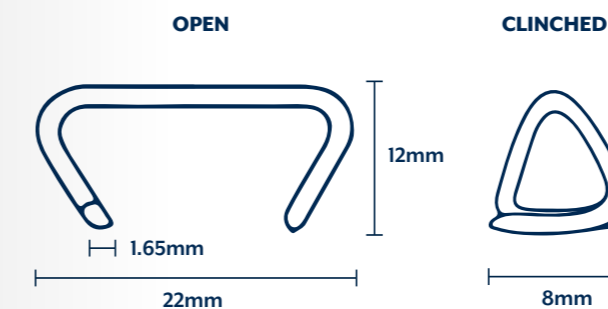
### Applications

- ✓ Fencing / DIY
- ✓ Building Construction
- ✓ Attaching fabricated wire fencing and labels
- ✓ Bag Closure
- ✓ Upholstery
- ✓ Shade Cloth

### Product Specifications

Stock Code	Weight (KG)	Height (MM)	Length (MM)	Width (MM)
TRF0201	0.6	240	400	60

Fastener Series	Airco 19mm High Tensile Ring Fastener
Fastener Load	50 Rings
Fastener Suited	RF00202



### Product Size

Product	Product Description	Stock Code	Point	Quantity	Weight (KG)
	Bayonet Airco 19mm x 2.1mm HT BZ* Ring Fasteners x 1000	RF00202	Sharp	1,000	0.9

BZ\* BayoZal. Manufactured using a medium coatweight of Zinc-Aluminium wire.

# Bayonet Airco RP22 Ring Plier

# Ring Fasteners

## For Bayonet Airco RP22 Ring Plier

**bayoZAL®**

Useful across a wide range of applications, the ever popular RP22 Hog Ring Plier is a very handy tool for Fencing Contractors, Farmers and DIY-ers.



Airco is one of the most trusted brands in fastening products; with high attention to detail and rigorous quality control processes, you can rely on our Hog Rings for a long lasting, quality finish.



### Features

- ✓ **Efficiency**
  - Semi automatic, single handed, jamb free operation.
  - 85 Fastener magazine capacity.
  - In line magazine.
- ✓ **Comfort & Strength**
  - Comfortable handle.
  - BayoZal coating (95% zinc / 5% aluminium).

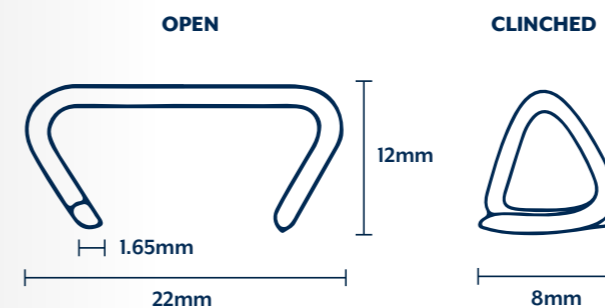
### Applications

- ✓ Rural Fencing
- ✓ Building Construction
- ✓ Bag Closure
- ✓ Upholstery
- ✓ Attaching fabricated wire fencing and labels
- ✓ Shade Cloth
- ✓ DIY


### Product Specifications

Stock Code	Weight (KG)	Height (MM)	Length (MM)	Width (MM)
TMR2222	0.4	40	190	20

Fastener Series	Airco RP-22 Series
Fastener Load	50 Rings
Fasteners Suited	RP00222 RP00223



### Product Size

Product	Product Description	Stock Code	Point	Quantity	Weight (KG)
	Bayonet Airco RP22 BZ* Hog Rings x 1000	RP00222	Sharp	1,000	0.7
	Bayonet Airco RP22 SS* Hog Rings x 1000	RP00223	Sharp	1,000	1.0

BZ\* BayoZal. Manufactured using a medium coatweight of Zinc-Aluminium wire.

SS\*\* Stainless Steel

**bayonet**<sup>®</sup>



201 Taurikura Drive Tauriko,  
Tauranga 3171, New Zealand

PO Box 308 Seventh Ave, Tauranga 3140

[info@bayonet.co.nz](mailto:info@bayonet.co.nz)

**0800 330 320**

**[bayonet.co.nz](http://bayonet.co.nz)**